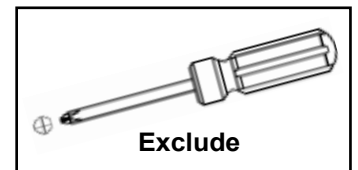
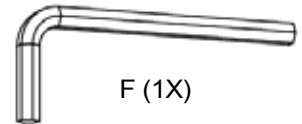
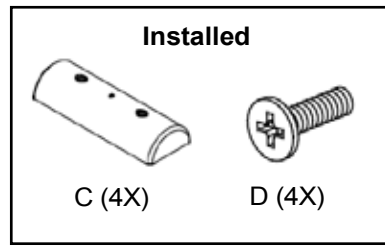
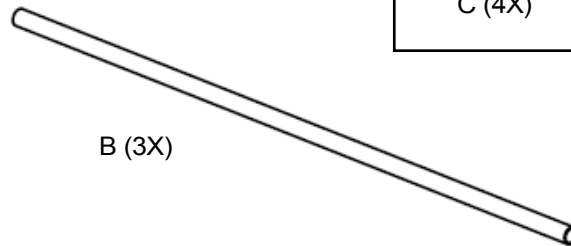
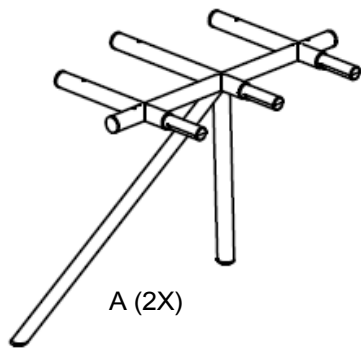


SIA DINING TABLE

ASSEMBLY INSTRUCTION

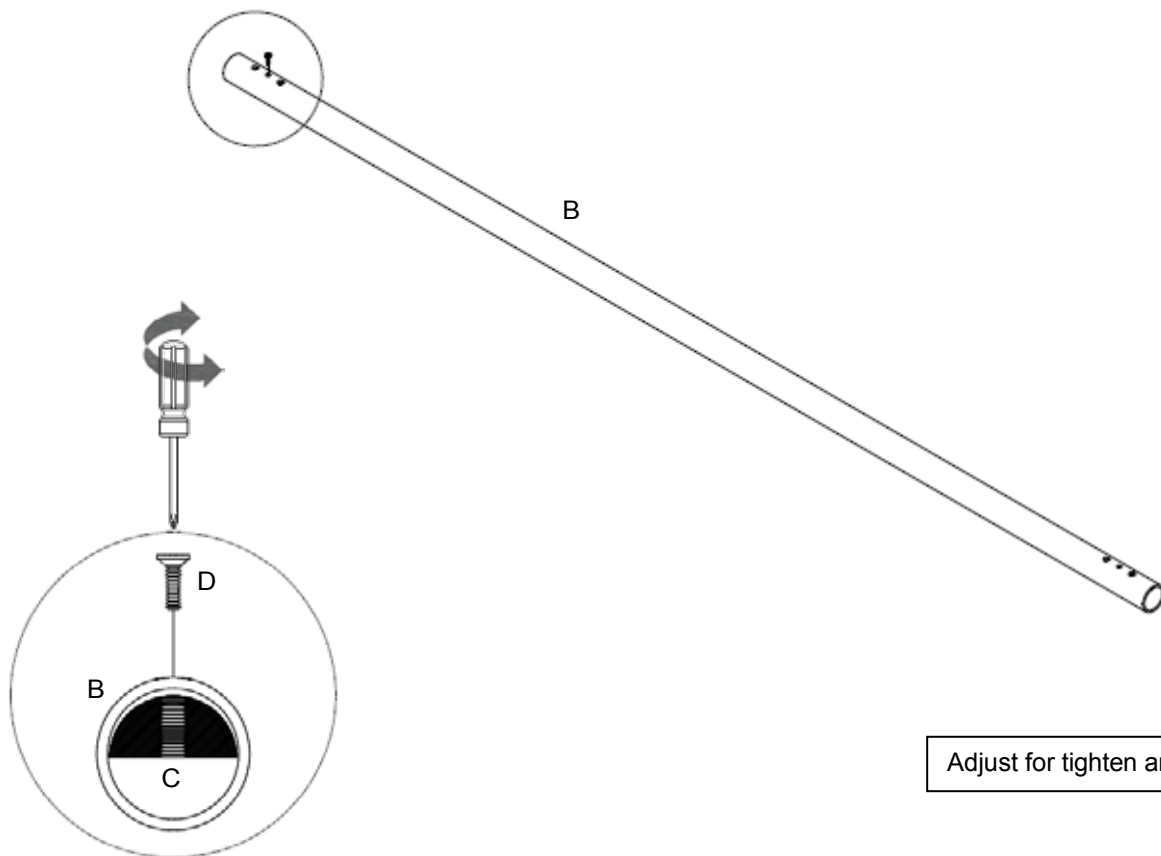
SaVeri™

PART LIST



ASSEMBLY

STEP 1

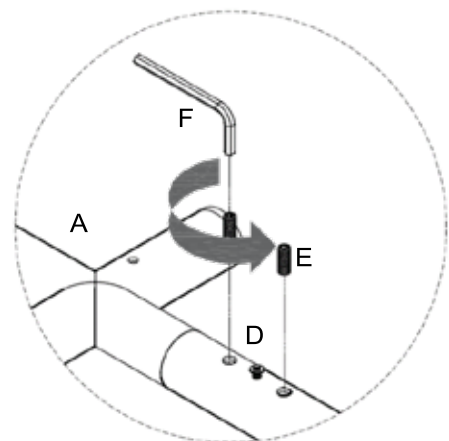
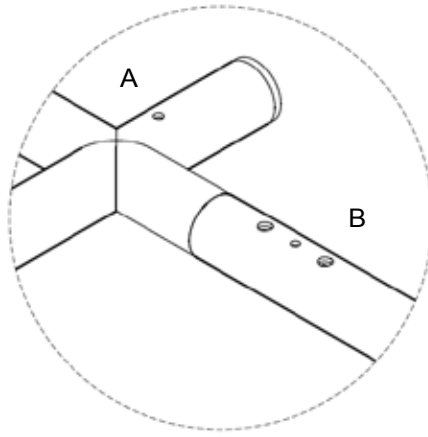
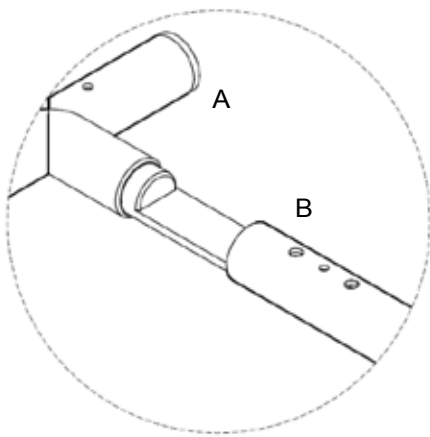
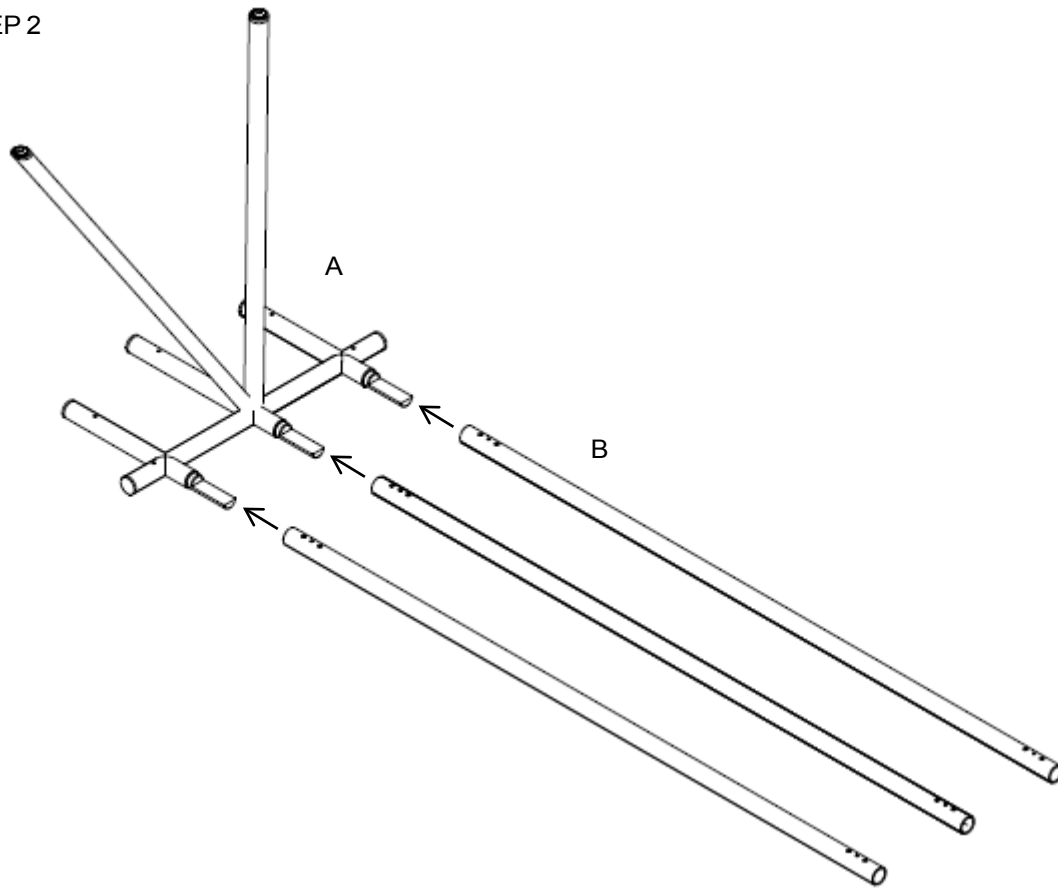


SIA DINING TABLE 175/215/270 (CM)

Saveri™

ASSEMBLY INSTRUCTION

STEP 2



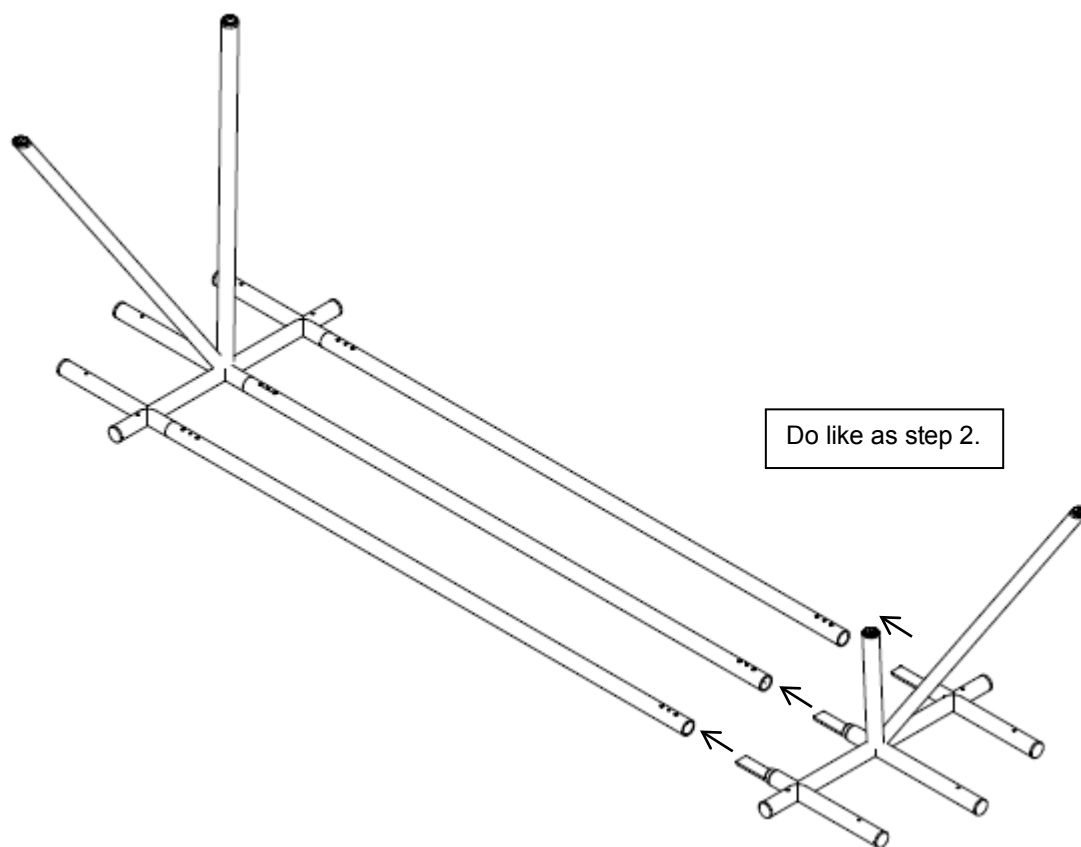
Attach bolt E using allen key F,
And then tighten bolt D.

SIA DINING TABLE 175/215/270 (CM)

Saveri™

ASSEMBLY INSTRUCTION

STEP 3



STEP 4

